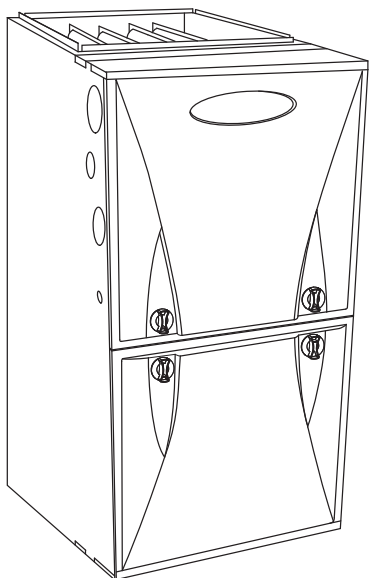


**59SP2A  
Performance™ Boost, Single–Stage  
4–Way Multipoise  
Condensing Gas Furnace  
Series 1**



## Product Data



A11263

The 59SP2A Multipoise Performance™ Boost Condensing Gas Furnace features SEER-boosting year-round electrical efficiency when paired with a compatible condensing unit. Energy efficiency is at the heart of this furnace with up to 92.1% AFUE gas efficiency and the electrically-efficient basic ECM blower motor. This gas furnace also features 4-way multipoise installation flexibility, and is available in six model sizes. The 59SP2A can be vented for direct vent/two-pipe, ventilated combustion air, or single-pipe applications. All units meet California Air Quality Management District emission requirements, are design certified in Canada, and are certified for mobile/manufactured home use.

### STANDARD FEATURES

- Quiet operation. Compare for yourself at HVACpartners.com.
- All sizes meet ENERGY STAR® regional standards.
- High-efficiency basic ECM multiple-speed blower motor for electrically efficient operation all year long in heating, cooling and continuous fan operation.
- Humidistat™ Control compatible; dehumidification input for better comfort.
- SmartEvap™ technology helps control humidity levels in the home when used with a compatible humidity control system.
- ComfortFan™ technology allows control of continuous fan speed from a compatible thermostat.
- Ideal height 35" (889 mm) cabinet: short enough for taller coils, but still allows enough room for service.
- Silicon Nitride Power Heat™ Hot Surface Igniter.
- 4-way multipoise design for upflow, downflow or horizontal installation, with unique vent elbow and optional venting through-the-cabinet downflow venting capability.
- Single-speed inducer motor, and single-stage gas valve.
- Self diagnostics with SuperBrite LED.
- Approved for Manufactured Housing/Mobile Home applications with MH accessory kit.
- Adjustable blower speed for heating, cooling and continuous fan.
- Aluminized-steel primary heat exchanger.
- Stainless-steel condensing secondary heat exchanger.
- Propane convertible (see Accessory list).
- Factory-configured ready for upflow applications.
- Fully-insulated casing including blower section.
- Convenient Air Purifier and Humidifier connections.
- Direct-vent/sealed combustion, single-pipe venting or ventilated combustion air.
- Installation flexibility: (sidewall or vertical vent).
- Residential installations may be eligible for consumer financing through the Retail Credit Program.
- Certified to leak 2% or less of nominal air conditioning CFM delivered when pressurized to 1-in. water column with all present air inlets, air outlets, and condensate drain port(s) sealed.

Performance  
SERIES



ISO 9001  
QMI-SAI Global

Use of the AHRI Certified™ Mark indicates a manufacturer's participation in the program. For verification of certification for individual products, go to [www.ahridirectory.org](http://www.ahridirectory.org).

**Always Ask For  
FACTORY  
AUTHORIZED  
PARTS**

| SAP ORDERING NO. | CASING DIMENSIONS (IN.) |      |      | RATED HEATING OUTPUT† |       | HEATING AIRFLOW |                        | COOLING CFM @ 0.5 ESP (in. W.C.) | MOTOR HP SPEED |
|------------------|-------------------------|------|------|-----------------------|-------|-----------------|------------------------|----------------------------------|----------------|
|                  | H                       | D    | W    | BTUH                  | AFUE  | Heating CFM     | Heating ESP (in. W.C.) |                                  |                |
| 59SP2A040E14--10 | 35                      | 29.5 | 14.2 | 37,000                | 92.1% | 770             | 0.1                    | 880                              | 1/2 - 5        |
| 59SP2A040E17--12 | 35                      | 29.5 | 17.5 | 37,000                | 92.1% | 785             | 0.1                    | 1025                             | 1/2 - 5        |
| 59SP2A060E14--12 | 35                      | 29.5 | 14.2 | 56,000                | 92.1% | 1100            | 0.12                   | 1035                             | 1/2 - 5        |
| 59SP2A060E17--14 | 35                      | 29.5 | 17.5 | 56,000                | 92.1% | 1000            | 0.12                   | 1190                             | 1/2 - 5        |
| 59SP2A080E17--16 | 35                      | 29.5 | 17.5 | 75,000                | 92.1% | 1355            | 0.15                   | 1370                             | 1/2 - 5        |
| 59SP2A080E21--20 | 35                      | 29.5 | 21.0 | 75,000                | 92.1% | 1460            | 0.15                   | 1815                             | 3/4 - 5        |
| 59SP2A100E21--20 | 35                      | 29.5 | 21.0 | 93,000                | 92.1% | 1675            | 0.2                    | 1855                             | 3/4 - 5        |
| 59SP2A120E24--20 | 35                      | 29.5 | 24.0 | 111,000               | 92.0% | 1875            | 0.2                    | 1800                             | 3/4 - 5        |

† Capacity in accordance with DOE test procedures. Ratings are position dependent. See rating plate.

‡ Heating CFM at factory default blower motor heating tap settings.

ESP – External Static Pressure

## FEATURES AND BENEFITS

**SmartEvap™ Technology** — When paired with a compatible thermostat, this dehumidification feature overrides the cooling blower off-delay when there is a call for dehumidification. By deactivating the blower off-delay, SmartEvap technology prevents condensate that remains on the coil after a dehumidification cycle from re-humidifying throughout the home. This results in reduced humidity and a more comfortable indoor environment for the homeowner.

Unlike competitive systems, SmartEvap technology only overrides the cooling blower off-delay when humidity control is needed. Once humidity is back in control, SmartEvap re-enables the energy-saving cooling blower off-delay.

The 59SP2A gas furnaces are ENERGY STAR® qualified only in U.S. South: AL, AZ, AR, CA, DC, DE, FL, GA, HI, KY, LA, MD, MS, NV, NM, NC, OK, SC, TN, TX, VA.

**ComfortFan™ Technology** — Sometimes the constant fan setting on a standard furnace system can actually reduce homeowner comfort by providing too much or too little air! Comfort Fan technology improves comfort all year long by allowing the homeowner to select the continuous fan speed of their choice using a compatible thermostat.

**HYBRID HEAT® Dual Fuel System** — This system can provide more control over your monthly energy bills by automatically selecting the most economical method of heating. With HYBRID HEAT components, our system automatically switches between the gas furnace and the electric heat pump as outside temperatures change to maintain greater efficiency and comfort than with any traditional single-source heating system. The heat pump also delivers high-efficiency cooling in the summer.

**Power Heat™ Igniter** — Carrier's unique SiN igniter is not only physically robust but it is also electrically robust. It is capable of running at line voltage and does not require complex voltage regulators as do other brands. This unique feature further enhances the gas furnace reliability and continues Carrier's tradition of technology leadership and innovation in providing a reliable and durable product.

**Performance™ ECM Blower Motor** — This basic ECM, or electronically commutated motor, can provide an efficiency enhancement for select Carrier air conditioner or heat pump systems. It uses less electrical power than its PSC counterpart and also has a wider range of speeds

**Reliable Heat Exchanger Design** — The aluminized steel, clam shell primary heat exchanger was re-engineered to achieve greater efficiency out of a smaller size. The first two passes of the heat exchanger are based on the current 80% product, a design with more than ten years of field-proven performance and success.

These innovations, paired with the continuation of a crimped, no-weld seam create an efficient, robust design for this essential component.

The condensing heat exchanger, a stainless steel fin and tube design, is positioned in the furnace to extract additional heat. Stainless steel coupling box componentry between heat exchangers has exceptional corrosion resistance in both natural gas and propane applications.

**Media Filter Cabinet** — Enhanced indoor air quality in the home is made easier with our optional media filter cabinet. When installed as a part of the system, this cabinet allows for easy and convenient addition of a Carrier high efficiency air filter.

**4-Way Multipoise Design** — One model for all applications – there is no need to stock special downflow or horizontal models when one unit will do it all. The new heat exchanger design allows these units to achieve the certified AFUE in all positions.

**Direct or Single-pipe Venting, or Optional Ventilated Combustion Air** — This furnace can be installed as a 2-pipe (Direct Vent) furnace, in an optional ventilated combustion air application, or in single-pipe, non-direct vent applications. This provides added flexibility to meet diverse installation needs.

**Sealed Combustion System** — This furnace brings in combustion air from outside the furnace, which results in especially quiet operation. By sealing the entire combustion vestibule, the entire furnace can be made quieter, not just the burners.

**Insulated Casing** — Foil-faced insulation in the heat exchanger section of the casing minimizes heat loss. The acoustical insulation in the blower compartment reduces air and motor noise for quiet operation.

**Monoport Burners** — The burners are specially designed and finely tuned for smooth, quiet combustion and economical operation.

**Bottom Closure** — Factory-installed for side return; easily removable for bottom return. The multi-use bottom closure can also serve for roll-out protection in horizontal applications, and act as the bottom closure for the optional return air base accessory.

**Blower Access Panel Switch** — Automatically shuts off 115-v power to furnace whenever blower access panel is opened.

**Quality Registration** — Our furnaces are engineered and manufactured under an ISO 9001 registered quality system.

**Certifications** — This furnace is CSA (AGA and CGA) design certified for use with natural and propane gases. The furnace is factory-shipped for use with natural gas. A CSA listed gas conversion kit is required to convert furnace for use with propane gas. The efficiency is AHRI efficiency rating certified. This furnace meets California Air Quality Management District emission requirements.

## SPECIFICATIONS

The furnace should be sized to provide 100 percent of the design heating load requirement plus any margin that occurs because of furnace model size capacity increments. None of the furnace model sizes can be used if the heating load is 20,000 BTU or lower. Use Air Conditioning Contractors of America (Manual J and S); American Society of Heating, Refrigerating, and Air-Conditioning Engineers; or other approved engineering

method to calculate heating load estimates and select the furnace. Excessive oversizing of the furnace may cause the furnace and/or vent to fail prematurely, customer discomfort and/or vent freezing. Failure to follow these guidelines is considered faulty installation and/or misapplication of the furnace; and resulting failure, damage, or repairs may impact warranty coverage.

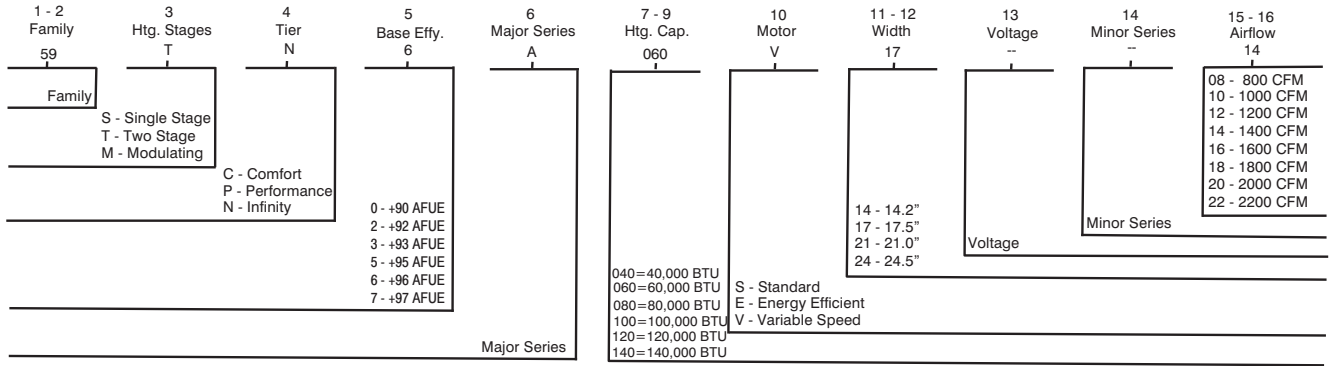
| Heating Capacity and Efficiency                    |                   |           | 040-10   | 040-12               | 060-12               | 060-14               | 080-16               | 080-20               | 100-20               | 120-20               |
|--|-------------------|-----------|--|----------------------|----------------------|----------------------|----------------------|----------------------|----------------------|----------------------|
| Input  | High Heat         | (BTUH)    | 40,000   | 40,000               | 60,000               | 60,000               | 80,000               | 80,000               | 100,000              | 120,000              |
| Output   | High Heat         | (BTUH)    | 37,000   | 37,000               | 56,000               | 56,000               | 75,000               | 75,000               | 93,000               | 111,000              |
| Certified Temperature Rise Range °F (°C)           |                   | High Heat | 35 - 65<br>(19 - 36)                           | 35 - 65<br>(19 - 36) | 35 - 65<br>(19 - 36) | 35 - 65<br>(19 - 36) | 40 - 70<br>(22 - 39) | 35 - 65<br>(19 - 36) | 40 - 70<br>(22 - 39) | 45 - 75<br>(25 - 42) |
| Airflow Capacity and Blower Data                   |                   |           | 040-10   | 040-12               | 060-12               | 060-14               | 080-16               | 080-20               | 100-20               | 120-20               |
| Rated External Static Pressure (in. w.c.)          | Heating           |           | 0.10   | 0.10                 | 0.12                 | 0.12                 | 0.15                 | 0.15                 | 0.20                 | 0.20                 |
|  | Cooling           |           | 0.5  | 0.5                  | 0.5                  | 0.5                  | 0.5                  | 0.5                  | 0.5                  | 0.5                  |
| Airflow Delivery @ Rated ESP (CFM)                 | High Heat         |           | 770  | 785                  | 1100                 | 1000                 | 1355                 | 1460                 | 1675                 | 1875                 |
|  | Cooling           |           | 880  | 1025                 | 1035                 | 1190                 | 1370                 | 1815                 | 1855                 | 1800                 |
| Cooling Capacity (tons) @ 400, 350 CFM/ton         | 400 CFM/ton       |           | 2  | 2.5                  | 2.5                  | 3                    | 3.5                  | 4.5                  | 4.5                  | 4.5                  |
|  | 350 CFM/ton       |           | 2.5  | 3                    | 3                    | 3.5                  | 4                    | 5                    | 5                    | 5                    |
| Direct-Drive Motor Type                            |                   |           | Electronically Commutated Motor (ECM)          |                      |                      |                      |                      |                      |                      |                      |
| Direct-Drive Motor HP                              |                   |           | 1/2  | 1/2                  | 1/2                  | 1/2                  | 1/2                  | 1/4                  | 3/4                  | 3/4                  |
| Motor Full Load Amps                               |                   |           | 6.4  | 6.4                  | 6.4                  | 6.4                  | 6.4                  | 8.8                  | 8.8                  | 8.8                  |
| RPM Range  |                   |           | 600 - 1200                                     |                      |                      |                      |                      |                      |                      |                      |
| Speed Selections                                   |                   |           | 5  |                      |                      |                      |                      |                      |                      |                      |
| Blower Wheel Dia x Width                           | in.               |           | 11 x 7   | 11 x 8               | 11 x 7               | 11 x 8               | 11 x 8               | 11 x 10              | 11 x 10              | 11 x 11              |
| Air Filtration System                              |                   |           | Field Supplied Filter                          |                      |                      |                      |                      |                      |                      |                      |
| Filter Used for Certified Watt Data                |                   |           | KGAWF1506UFR                                   |                      |                      |                      |                      |                      |                      |                      |
| Electrical Data                                    |                   |           | 040-10   | 040-12               | 060-12               | 060-14               | 080-16               | 080-20               | 100-20               | 120-20               |
| Input Voltage                                      | Volts-Hertz-Phase |           | 115-60-1                                       |                      |                      |                      |                      |                      |                      |                      |
| Operating Voltage Range                            | Min-Max           |           | 104-127  |                      |                      |                      |                      |                      |                      |                      |
| Maximum Input Amps                                 | Amps              |           | 7  | 7                    | 7.1                  | 7.1                  | 7.1                  | 9.5                  | 9.6                  | 9.6                  |
| Unit Ampacity                                      | Amps              |           | 9.8  | 9.8                  | 9.9                  | 9.9                  | 9.9                  | 12.9                 | 12.9                 | 12.9                 |
| Minimum Wire Size                                  | AWG               |           | 14   | 14                   | 14                   | 14                   | 14                   | 14                   | 14                   | 14                   |
| Maximum Wire Length @ Minimum Wire Size            | Feet              |           | 38   | 38                   | 37                   | 37                   | 37                   | 28                   | 28                   | 28                   |
|  | (M)               |           | (11.6)   | (11.6)               | (11.3)               | (11.3)               | (11.3)               | (8.5)                | (8.5)                | (8.5)                |
| Maximum Fuse/Ckt Bkr (Time-Delay Type Recommended) | Amps              |           | 15   | 15                   | 15                   | 15                   | 15                   | 15                   | 15                   | 15                   |
| Transformer Capacity (24vac output)                |                   |           | 40 VA  |                      |                      |                      |                      |                      |                      |                      |
| External Control Power Available                   | Heating           |           | 27.9 VA  |                      |                      |                      |                      |                      |                      |                      |
|  | Cooling           |           | 34.6 VA  |                      |                      |                      |                      |                      |                      |                      |
| Controls   |                   |           | 040-10   | 040-12               | 060-12               | 060-14               | 080-16               | 080-20               | 100-20               | 120-20               |
| Gas Connection Size                                |                   |           | 1/2" - NPT                                     |                      |                      |                      |                      |                      |                      |                      |
| Burners (Monoport)                                 |                   |           | 2  | 2                    | 3                    | 3                    | 4                    | 4                    | 5                    | 6                    |
| Gas Valve (Redundant)                              | Manufacturer      |           | White Rodgers                                  |                      |                      |                      |                      |                      |                      |                      |
| Minimum Inlet Gas pressure (in. w.c.)              |                   |           | 4.5  |                      |                      |                      |                      |                      |                      |                      |
| Maximum Inlet Gas pressure (in. w.c.)              |                   |           | 13.6   |                      |                      |                      |                      |                      |                      |                      |
| Manufactured (Mobile) Home Kit                     |                   |           | See Accessory Listing                          |                      |                      |                      |                      |                      |                      |                      |
| Ignition Device                                    |                   |           | Silicon Nitride                                |                      |                      |                      |                      |                      |                      |                      |
| Limit Control                                      |                   |           | 175  | 175                  | 205                  | 205                  | 230                  | 185                  | 220                  | 165                  |
| Heating Blower Control (Heating Off-Delay)         |                   |           | Adjustable: 90, 120, 150, 180 seconds          |                      |                      |                      |                      |                      |                      |                      |
| Cooling Blower Control (Time Delay Relay)          |                   |           | 90 seconds                                     |                      |                      |                      |                      |                      |                      |                      |
| Communication System                               |                   |           | none   |                      |                      |                      |                      |                      |                      |                      |
| Thermostat Connections                             |                   |           | Com 24V, R, W, G, Y/Y2, DHUM, Y1               |                      |                      |                      |                      |                      |                      |                      |
| Accessory Connections                              |                   |           | EAC (115vac); HUM (24vac); 1-stg AC (via Y/Y2) |                      |                      |                      |                      |                      |                      |                      |

\* See Accessory List for part numbers available.

59SP2A

# MODEL NUMBER NOMENCLATURE

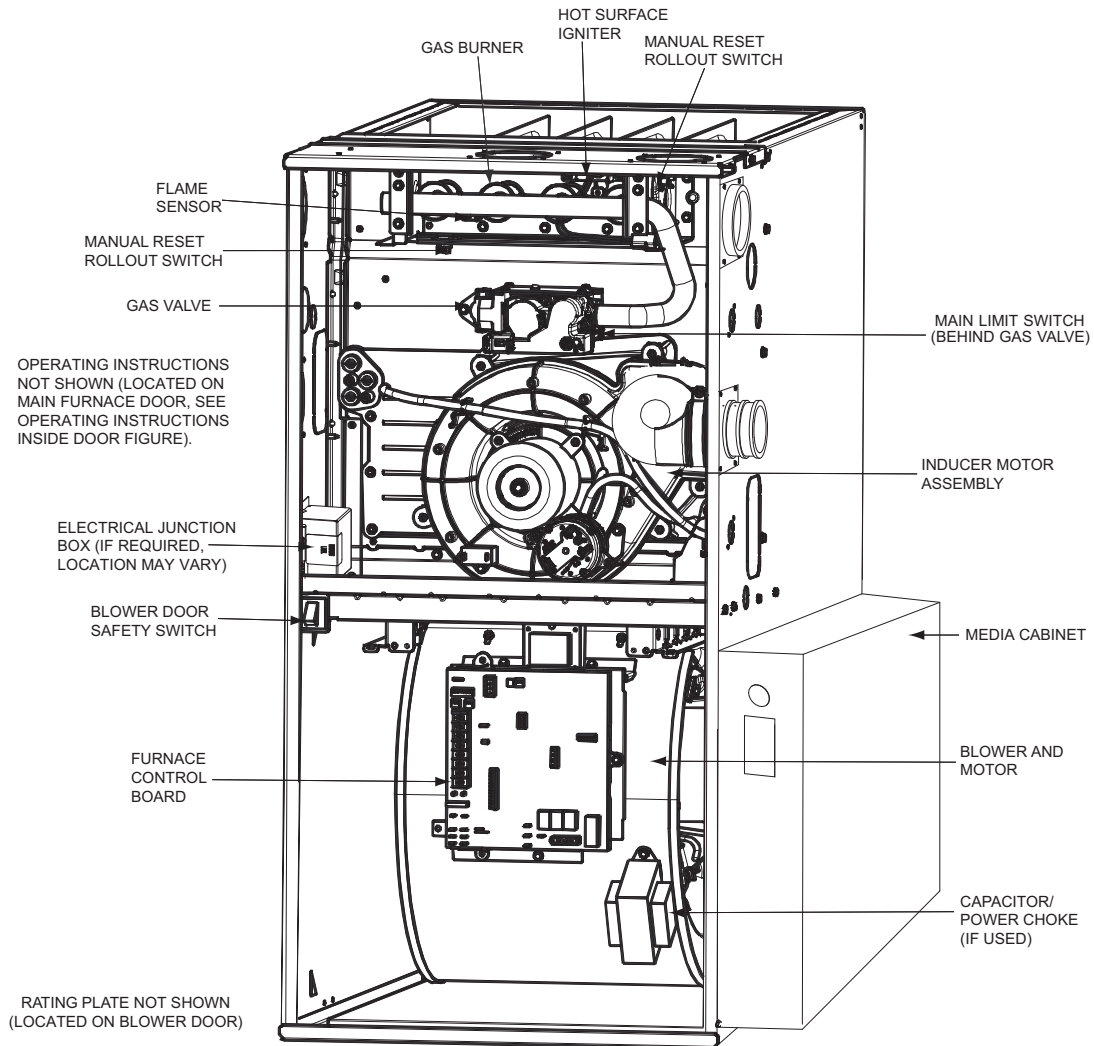
Example of Model Number



Not all families have these models.

A12373

## FURNACE COMPONENTS



REPRESENTATIVE DRAWING ONLY, SOME MODELS MAY VARY IN APPEARANCE.

A11408

59SP2A

## ACCESSORIES

| DESCRIPTION  | PART NUMBER    | 040-10                   | 060-12 | 040-12 | 060-14 | 080-16 | 080-20 | 100-20 | 120-20 |
|--|----------------|--------------------------|--------|--------|--------|--------|--------|--------|--------|
| <b>Venting Accessories</b>   |                |                          |        |        |        |        |        |        |        |
| Vent Kit - Through the Cabinet                                     | KGADC0101BVC   | •                        | •      | •      | •      | •      | •      | •      | •      |
| Vent Terminal - Concentric - 2" (51 mm)                            | KGAVT0701CVT   | See Venting Tables       |        |        |        |        |        |        |        |
| Vent Terminal - Concentric - 3" (76 mm)                            | KGAVT0801CVT   |                          |        |        |        |        |        |        |        |
| Vent Terminal Bracket - 2" (51 mm)                                 | KGAVT0101BRA   |                          |        |        |        |        |        |        |        |
| Vent Terminal Bracket - 3" (76 mm)                                 | KGAVT0201BRA   |                          |        |        |        |        |        |        |        |
| Vent Kit - Rubber Coupling   | KGAAAC0101RVC  |                          |        |        |        |        |        |        |        |
| <b>Condensate Drainage Accessories</b>                             |                |                          |        |        |        |        |        |        |        |
| Freeze Protect Kit - Heat Tape                                     | KGAHT0101CFP   | •                        | •      | •      | •      | •      | •      | •      | •      |
| CPVC to PVC Drain Adapters - 1/2" CPVC to 3/4" PVC                 | KGAAD0110PVC   | •                        | •      | •      | •      | •      | •      | •      | •      |
| Horizontal Trap Grommet - Direct Vent                              | KGACK0101HCK   | All DV Horizontal        |        |        |        |        |        |        |        |
| Condensate Neutralizer Kit   | P908-0001      | •                        | •      | •      | •      | •      | •      | •      | •      |
| External Trap Kit  | KGAET0201ETK   | •                        | •      | •      | •      | •      | •      | •      | •      |
| <b>Ductwork Adapter Accessories</b>                                |                |                          |        |        |        |        |        |        |        |
| Furnace Base Kit for Combustible Floors                            | KGASB0201ALL   | •                        | •      | •      | •      | •      | •      | •      | •      |
| Coil Adapter Kits - No Offset                                      | KGADA0101ALL   | •                        | •      | •      | •      | •      | •      | •      | •      |
| Coil Adapter Kits - Single Offset                                  | KGADA0201ALL   | •                        | •      | •      | •      | •      | •      | •      | •      |
| Coil Adapter Kits - Double Offset                                  | KGADA0301ALL   | •                        | •      | •      | •      | •      | •      | •      | •      |
| Return Air Base (Upflow Applications) 14.0" wide                   | KGARP0301B14   | •                        | •      |        |        |        |        |        |        |
| Return Air Base (Upflow Applications) 17.5" wide                   | KGARP0301B17   |                          |        | •      | •      | •      |        |        |        |
| Return Air Base (Upflow Applications) 21.0" wide                   | KGARP0301B21   |                          |        |        |        |        | •      | •      |        |
| Return Air Base (Upflow Applications) 24.5" wide                   | KGARP0301B24   |                          |        |        |        |        |        |        | •      |
| IAQ Device Duct Adapters 20.0-in. IAQ to 16 in. Side Return        | KGAAD0101MEC   | 20"x25" IAQ Devices      |        |        |        |        |        |        |        |
| IAQ Device Duct Adapters 24.0-in. IAQ to 16 in. Side Return        | KGAAD0201MEC   | 24"x25" IAQ Devices      |        |        |        |        |        |        |        |
| <b>Gas Conversion Accessories</b>                                  |                |                          |        |        |        |        |        |        |        |
| Mobile Home Kit  | KGBMH0601KIT   | •                        | •      | •      | •      | •      | •      | •      | •      |
| Gas Conversion Kit - Nat to LP                                     | KGBNP50011SP   | •                        | •      | •      | •      | •      | •      | •      | •      |
| Gas Conversion Kit - LP to Nat                                     | KGBPN42011SP   | •                        | •      | •      | •      | •      | •      | •      | •      |
| Gas Orifice Kit - #42 (Nat Gas)                                    | LH32DB207      | •                        | •      | •      | •      | •      | •      | •      | •      |
| Gas Orifice Kit - #43 (Nat Gas)                                    | LH32DB202      | •                        | •      | •      | •      | •      | •      | •      | •      |
| Gas Orifice Kit - #44 (Nat Gas)                                    | LH32DB200      | •                        | •      | •      | •      | •      | •      | •      | •      |
| Gas Orifice Kit - #45 (Nat Gas)                                    | LH32DB205      | •                        | •      | •      | •      | •      | •      | •      | •      |
| Gas Orifice Kit - #46 (Nat Gas)                                    | LH32DB208      | •                        | •      | •      | •      | •      | •      | •      | •      |
| Gas Orifice Kit - #47 (Nat Gas)                                    | LH32DB078      | •                        | •      | •      | •      | •      | •      | •      | •      |
| Gas Orifice Kit - #48 (Nat Gas)                                    | LH32DB076      | •                        | •      | •      | •      | •      | •      | •      | •      |
| Gas Orifice Kit - #54 (LP)   | LH32DB203      | •                        | •      | •      | •      | •      | •      | •      | •      |
| Gas Orifice Kit - #55 (LP)   | LH32DB201      | •                        | •      | •      | •      | •      | •      | •      | •      |
| Gas Orifice Kit - #56 (LP)   | LH32DB206      | •                        | •      | •      | •      | •      | •      | •      | •      |
| Gas Orifice Kit - 1.25mm (LP)                                      | LH32DB209      | •                        | •      | •      | •      | •      | •      | •      | •      |
| Gas Orifice Kit - 1.30mm (LP)                                      | LH32DB210      | •                        | •      | •      | •      | •      | •      | •      | •      |
| <b>IAQ Accessories</b>   |                |                          |        |        |        |        |        |        |        |
| Media Filter Cabinet - 16" (406 mm)                                | FILCABXL0016   | •                        | •      | •      | •      | •      |        |        |        |
| Media Filter Cabinet - 20" (508 mm)                                | FILCABXL0020   |                          |        |        |        |        | •      | •      |        |
| Media Filter Cabinet - 24" (610 mm)                                | FILCABXL0024   |                          |        |        |        |        |        |        | •      |
| Filter Pack (6 pack) - Washable - 16x25x1 (406x635x25 mm)          | KGAWF1306UFR   | •                        | •      | •      | •      | •      | •      | •      | •      |
| Filter Pack (6 pack) - Washable - 24x25x1 (610x635x25 mm)          | KGAWF1506UFR   | •                        | •      | •      | •      | •      | •      | •      | •      |
| EZ-Flex Filter - 16" (406 mm)                                      | EXPXXFIL0016   | Use with EZXCAB - 1016   |        |        |        |        |        |        |        |
| EZ-Flex Filter - 20" (508 mm)                                      | EXPXXFIL0020   | Use with EZXCAB - 1020   |        |        |        |        |        |        |        |
| EZ-Flex Filter - 24" (610 mm)                                      | EXPXXFIL0024   | Use with EZXCAB - 1024   |        |        |        |        |        |        |        |
| EZ-Flex Filter with End Caps - 16" (406 mm)                        | EXPXXUNV0016   | Use with EZXCAB - 1016   |        |        |        |        |        |        |        |
| EZ-Flex Filter with End Caps - 20" (508 mm)                        | EXPXXUNV0020   | Use with EZXCAB - 1020   |        |        |        |        |        |        |        |
| EZ-Flex Filter with End Caps - 24" (610 mm)                        | EXPXXUNV0024   | Use with EZXCAB - 1024   |        |        |        |        |        |        |        |
| Cartridge Media Filter - 16" (406 mm)                              | FILXXCAR0016   | Use with FILCABXL - 1016 |        |        |        |        |        |        |        |
| Cartridge Media Filter - 20" (508 mm)                              | FILXXCAR0020   | Use with FILCABXL - 1020 |        |        |        |        |        |        |        |
| Cartridge Media Filter - 24" (610 mm)                              | FILXXCAR0024   | Use with FILCABXL - 1024 |        |        |        |        |        |        |        |
| Carrier Performance Air Purifier - 16x25 (508x635 mm)              | PGAPXX1625     | Up to 1600 CFM           |        |        |        |        |        |        |        |
| Carrier Performance Air Purifier - 20x25 (508x635 mm)              | PGAPXX2025     | Up to 2000 CFM           |        |        |        |        |        |        |        |
| Carrier Performance Air Purifier Repl Filter - 16x25 (406x635 mm)  | PGAPAXXCAR1625 | GAPAXCC1625              |        |        |        |        |        |        |        |
| Carrier Performance Air Purifier Repl. Filter - 20x25 (508x635 mm) | PGAPAXXCAR2025 | GAPAXCC2025              |        |        |        |        |        |        |        |

• = Used with the model furnace

59SP2A

## AIR DELIVERY - CFM (WITH FILTER)

| UNIT SIZE | RETURN-AIR CONNECTION               | SPEED TAPS <sup>2, 3</sup> | EXTERNAL STATIC PRESSURE (IN.W.C.) |      |      |      |      |      |      |      |                |                |
|-----------|-------------------------------------|----------------------------|------------------------------------|------|------|------|------|------|------|------|----------------|----------------|
|           |                                     |                            | 0.1                                | 0.2  | 0.3  | 0.4  | 0.5  | 0.6  | 0.7  | 0.8  | 0.9            | 1.0            |
| 040-10    | SIDE/BOTTOM                         | Gray                       | 1025                               | 990  | 950  | 915  | 880  | 845  | 800  | 765  | 725            | 690            |
|           |                                     | Yellow                     | 935                                | 895  | 860  | 820  | 785  | 740  | 700  | 660  | 625            | 585            |
|           |                                     | Orange                     | 880                                | 840  | 805  | 770  | 725  | 685  | 640  | 600  | 560            | 515            |
|           |                                     | Blue <sup>3</sup>          | 770                                | 725  | 685  | 640  | 595  | 550  | 510  | 465  | 415            | 370            |
|           |                                     | Red <sup>3</sup>           | 590                                | 540  | 490  | 445  | 395  | 345  | 280  | 240  | - <sup>6</sup> | - <sup>6</sup> |
| 040-12    | SIDE/BOTTOM                         | Gray                       | 1165                               | 1130 | 1095 | 1060 | 1025 | 985  | 950  | 915  | 875            | 840            |
|           |                                     | Yellow                     | 965                                | 920  | 880  | 835  | 795  | 755  | 710  | 670  | 630            | 590            |
|           |                                     | Blue <sup>3</sup>          | 785                                | 735  | 690  | 645  | 600  | 555  | 515  | 470  | 435            | 395            |
|           |                                     | Orange <sup>3</sup>        | 680                                | 625  | 580  | 525  | 480  | 435  | 395  | 360  | 315            | 265            |
|           |                                     | Red <sup>3</sup>           | 585                                | 530  | 475  | 425  | 375  | 340  | 295  | 245  | - <sup>6</sup> | - <sup>6</sup> |
| 060-12    | SIDE/BOTTOM                         | Gray                       | 1165                               | 1140 | 1110 | 1080 | 1035 | 1000 | 960  | 920  | 870            | 825            |
|           |                                     | Blue                       | 1105                               | 1085 | 1050 | 1010 | 975  | 930  | 890  | 845  | 795            | 755            |
|           |                                     | Yellow                     | 1040                               | 1000 | 960  | 920  | 880  | 840  | 785  | 740  | 690            | 640            |
|           |                                     | Orange <sup>3</sup>        | 840                                | 795  | 750  | 705  | 655  | 610  | 555  | 500  | 450            | 395            |
|           |                                     | Red <sup>3</sup>           | 745                                | 615  | 555  | 510  | 450  | 390  | 340  | 290  | 230            | 195            |
| 060-14    | SIDE/BOTTOM                         | Gray                       | 1335                               | 1300 | 1275 | 1230 | 1190 | 1135 | 1090 | 1040 | 985            | 925            |
|           |                                     | Yellow                     | 1170                               | 1135 | 1095 | 1045 | 995  | 940  | 890  | 825  | 770            | 700            |
|           |                                     | Blue <sup>3</sup>          | 1010                               | 965  | 910  | 855  | 800  | 735  | 675  | 615  | 555            | 505            |
|           |                                     | Orange <sup>3</sup>        | 960                                | 905  | 855  | 800  | 740  | 675  | 615  | 555  | 505            | 460            |
|           |                                     | Red <sup>3</sup>           | 910                                | 735  | 675  | 605  | 535  | 485  | 430  | 375  | 330            | 265            |
| 080-16    | SIDE/BOTTOM                         | Gray                       | 1545                               | 1505 | 1460 | 1420 | 1365 | 1320 | 1275 | 1225 | 1180           | 1135           |
|           |                                     | Blue                       | 1375                               | 1330 | 1275 | 1225 | 1175 | 1125 | 1075 | 1025 | 970            | 920            |
|           |                                     | Yellow <sup>3</sup>        | 1195                               | 1140 | 1090 | 1040 | 985  | 930  | 875  | 815  | 765            | 705            |
|           |                                     | Orange <sup>3</sup>        | 1015                               | 955  | 900  | 845  | 780  | 730  | 670  | 615  | 550            | 490            |
|           |                                     | Red <sup>3</sup>           | 945                                | 735  | 575  | 520  | 450  | 375  | 325  | 260  | - <sup>6</sup> | - <sup>6</sup> |
| 080-20    | BOTTOM or TWO-SIDES <sup>4, 5</sup> | Gray                       | 2020                               | 1965 | 1920 | 1865 | 1815 | 1760 | 1705 | 1650 | 1595           | 1545           |
|           |                                     | Yellow                     | 1650                               | 1590 | 1535 | 1475 | 1425 | 1370 | 1315 | 1260 | 1205           | 1145           |
|           |                                     | Blue                       | 1495                               | 1430 | 1365 | 1310 | 1260 | 1200 | 1145 | 1085 | 1030           | 970            |
|           |                                     | Orange                     | 1420                               | 1355 | 1290 | 1235 | 1175 | 1120 | 1060 | 1005 | 945            | 890            |
|           |                                     | Red <sup>3</sup>           | 1200                               | 1120 | 1060 | 995  | 940  | 875  | 810  | 750  | 685            | 625            |
| 100-20    | BOTTOM or TWO-SIDES <sup>4, 5</sup> | Gray                       | 2060                               | 2010 | 1955 | 1905 | 1850 | 1800 | 1750 | 1690 | 1630           | 1565           |
|           |                                     | Blue                       | 1730                               | 1675 | 1620 | 1565 | 1510 | 1455 | 1385 | 1325 | 1270           | 1210           |
|           |                                     | Yellow                     | 1685                               | 1630 | 1570 | 1515 | 1460 | 1410 | 1345 | 1280 | 1225           | 1170           |
|           |                                     | Orange <sup>3</sup>        | 1445                               | 1370 | 1310 | 1250 | 1185 | 1115 | 1055 | 1005 | 950            | 875            |
|           |                                     | Red <sup>3</sup>           | 1235                               | 1155 | 1090 | 1020 | 945  | 900  | 835  | 755  | 690            | 635            |
| 120-20    | BOTTOM or TWO-SIDES <sup>4, 5</sup> | Gray                       | 2030                               | 1965 | 1910 | 1855 | 1800 | 1730 | 1655 | 1590 | 1535           | 1480           |
|           |                                     | Blue                       | 1940                               | 1875 | 1815 | 1760 | 1700 | 1625 | 1555 | 1495 | 1435           | 1370           |
|           |                                     | Yellow <sup>3</sup>        | 1670                               | 1605 | 1535 | 1465 | 1395 | 1330 | 1275 | 1220 | 1155           | 1090           |
|           |                                     | Orange <sup>3</sup>        | 1415                               | 1340 | 1260 | 1185 | 1120 | 1055 | 1000 | 925  | 860            | 800            |
|           |                                     | Red <sup>3</sup>           | 1215                               | 1125 | 1045 | 975  | 900  | 825  | 755  | 690  | 635            | 575            |

**NOTE:**

1. A filter is required for each return-air inlet. Airflow performance includes a 3/4-in. (19 mm) washable filter media such as contained in a factory-authorized accessory filter rack. See accessory list. To determine airflow performance without this filter, assume an additional 0.1 in. w.c. available external static pressure.
2. **ADJUST THE BLOWER SPEED TAPS AS NECESSARY FOR THE PROPER AIR TEMPERATURE RISE FOR EACH INSTALLATION.**
3. Shaded areas indicate that this airflow range is **BELOW THE RANGE ALLOWED FOR HEATING OPERATION. THESE AIRFLOW RANGES MAY ONLY BE USED FOR COOLING.**
4. Airflows over 1800 CFM require bottom return, two-side return, or bottom and side return. A minimum filter size of 20" x 25" (508 x 635 mm) is required.
5. For upflow applications, air entering from one side into both the side of the furnace and a return air base counts as a side and bottom return.
6. The "-" entry indicates an unstable operating condition.

59SP2A

# MAXIMUM ALLOWABLE EXPOSED VENT LENGTHS INSULATION TABLE

Table 1 – Maximum Allowable Exposed Vent Lengths Insulation Table - Ft.

| Winter Design Temp °F | Unit Size | 40,000* BTUH |    |     |                    |    |     |                    |    |     | 60,000 BTUH |    |     |                    |     |    |                    |    |     |    |     |    |
|-----------------------|-----------|--------------|----|-----|--------------------|----|-----|--------------------|----|-----|-------------|----|-----|--------------------|-----|----|--------------------|----|-----|----|-----|----|
|                       |           | Uninsulated  |    |     | 3/8-in. Insulation |    |     | 1/2-in. Insulation |    |     | Uninsulated |    |     | 3/8-in. Insulation |     |    | 1/2-in. Insulation |    |     |    |     |    |
|                       |           | 1 ½          | 2  | 2 ½ | 1 ½                | 2  | 2 ½ | 1 ½                | 2  | 2 ½ | 1 ½         | 2  | 2 ½ | 3                  | 1 ½ | 2  | 2 ½                | 3  | 1 ½ | 2  | 2 ½ | 3  |
| 20                    | 20        | 20           | 20 | 20  | 20                 | 50 | 45  | 20                 | 60 | 50  | 20          | 30 | 30  | 25                 | 20  | 75 | 65                 | 60 | 20  | 85 | 75  | 65 |
| 0                     | 10        | 5            | 5  |     | 20                 | 25 | 20  | 20                 | 30 | 25  | 15          | 15 | 10  | 10                 | 20  | 40 | 30                 | 25 | 20  | 45 | 40  | 30 |
| -20                   | 5         |              |    |     | 20                 | 15 | 10  | 20                 | 20 | 15  | 10          | 5  |     |                    | 20  | 25 | 20                 | 15 | 20  | 30 | 25  | 20 |
| -40                   |           |              |    |     | 15                 | 10 | 5   | 15                 | 15 | 10  | 5           |    |     |                    | 20  | 15 | 15                 | 10 | 20  | 20 | 15  | 10 |

| Winter Design Temp °F | Unit Size | 80,000 BTUH |    |     |    |                    |     |    |     |                    |    |     |    |     |    |
|-----------------------|-----------|-------------|----|-----|----|--------------------|-----|----|-----|--------------------|----|-----|----|-----|----|
|                       |           | Uninsulated |    |     |    | 3/8-in. Insulation |     |    |     | 1/2-in. Insulation |    |     |    |     |    |
|                       |           | 1 ½         | 2  | 2 ½ | 3  | 4                  | 1 ½ | 2  | 2 ½ | 3                  | 4  | 1 ½ | 2  | 2 ½ | 3  |
| 20                    | 15        | 40          | 40 | 35  | 30 | 15                 | 50  | 90 | 75  | 65                 | 15 | 50  | 70 | 70  | 70 |
| 0                     | 15        | 20          | 15 | 10  | 5  | 15                 | 50  | 45 | 35  | 30                 | 15 | 50  | 50 | 40  | 35 |
| -20                   | 15        | 10          | 5  |     |    | 15                 | 35  | 30 | 20  | 15                 | 15 | 40  | 30 | 25  | 15 |
| -40                   | 10        | 5           |    |     |    | 15                 | 25  | 20 | 15  | 5                  | 15 | 30  | 25 | 20  | 10 |

| Winter Design Temp °F | Unit Size | 100,000 BTUH |     |    |    |                    |     |    |    |                    |     |    |   |
|-----------------------|-----------|--------------|-----|----|----|--------------------|-----|----|----|--------------------|-----|----|---|
|                       |           | Uninsulated  |     |    |    | 3/8-in. Insulation |     |    |    | 1/2-in. Insulation |     |    |   |
|                       |           | 2            | 2 ½ | 3  | 4  | 2                  | 2 ½ | 3  | 4  | 2                  | 2 ½ | 3  | 4 |
| 20                    | 20        | 50           | 40  | 35 | 20 | 80                 | 95  | 80 | 20 | 80                 | 105 | 90 |   |
| 0                     | 20        | 20           | 15  | 10 | 20 | 55                 | 45  | 35 | 20 | 65                 | 55  | 45 |   |
| -20                   | 15        | 10           | 5   |    | 20 | 35                 | 30  | 20 | 20 | 45                 | 35  | 25 |   |
| -40                   | 10        | 5            |     |    | 20 | 25                 | 20  | 10 | 20 | 30                 | 25  | 15 |   |

| Winter Design Temp °F | Unit Size | 120,000 BTUH |    |    |                    |    |    |                    |     |   | 140,000 BTUH |    |   |                    |     |   |                    |     |   |
|-----------------------|-----------|--------------|----|----|--------------------|----|----|--------------------|-----|---|--------------|----|---|--------------------|-----|---|--------------------|-----|---|
|                       |           | Uninsulated  |    |    | 3/8-in. Insulation |    |    | 1/2-in. Insulation |     |   | Uninsulated  |    |   | 3/8-in. Insulation |     |   | 1/2-in. Insulation |     |   |
|                       |           | 2 ½          | 3  | 4  | 2 ½                | 3  | 4  | 2 ½                | 3   | 4 | 2 ½          | 3  | 4 | 2 ½                | 3   | 4 | 2 ½                | 3   | 4 |
| 20                    | 10        | 50           | 40 | 10 | 75                 | 95 | 10 | 75                 | 105 | 5 | 55           | 50 | 5 | 65                 | 105 | 5 | 65                 | 125 |   |
| 0                     | 10        | 20           | 15 | 10 | 55                 | 45 | 10 | 65                 | 50  | 5 | 25           | 15 | 5 | 65                 | 50  | 5 | 65                 | 60  |   |
| -20                   | 10        | 10           |    | 10 | 35                 | 25 | 10 | 45                 | 30  | 5 | 10           | 5  | 5 | 45                 | 30  | 5 | 50                 | 40  |   |
| -40                   | 10        | 5            |    | 10 | 25                 | 15 | 10 | 30                 | 20  | 5 | 5            |    | 5 | 30                 | 20  | 5 | 35                 | 25  |   |

## Maximum Allowable Exposed Vent Length in Unconditioned Space (Metric)

| Winter Design Temp °C | Unit Size | 40,000* BTUH |     |     |                    |      |     |                    |      |     | 60,000 BTUH |     |     |                    |      |      |                    |     |      |      |      |
|-----------------------|-----------|--------------|-----|-----|--------------------|------|-----|--------------------|------|-----|-------------|-----|-----|--------------------|------|------|--------------------|-----|------|------|------|
|                       |           | Uninsulated  |     |     | 3/8-in. Insulation |      |     | 1/2-in. Insulation |      |     | Uninsulated |     |     | 3/8-in. Insulation |      |      | 1/2-in. Insulation |     |      |      |      |
|                       |           | 38           | 51  | 64  | 38                 | 51   | 64  | 38                 | 51   | 64  | 38          | 51  | 64  | 76                 | 38   | 51   | 64                 | 76  | 38   | 51   | 64   |
| -7                    | 6.1       | 6.1          | 6.1 | 6.1 | 15.2               | 13.7 | 6.1 | 18.3               | 15.2 | 6.1 | 9.1         | 9.1 | 7.6 | 6.1                | 22.9 | 19.8 | 18.3               | 6.1 | 25.9 | 22.9 | 19.8 |
| -18                   | 3.0       | 1.5          | 1.5 | 6.1 | 7.6                | 6.1  | 6.1 | 9.1                | 7.6  | 4.6 | 4.6         | 3.0 | 3.0 | 6.1                | 12.2 | 9.1  | 7.6                | 6.1 | 13.7 | 12.2 | 9.1  |
| -29                   | 1.5       |              |     | 6.1 | 4.6                | 3.0  | 6.1 | 6.1                | 4.6  | 3.0 | 1.5         |     |     | 6.1                | 7.6  | 6.1  | 4.6                | 6.1 | 9.1  | 7.6  | 6.1  |
| -40                   |           |              |     | 4.6 | 3.0                | 1.5  | 4.6 | 4.6                | 3.0  | 1.5 |             |     |     | 6.1                | 4.6  | 4.6  | 3.0                | 6.1 | 6.1  | 4.6  | 3.0  |

| Winter Design Temp °C | Unit Size | 80,000 BTUH |      |      |     |     |                    |      |      |      |     |                    |      |      |      |     |
|-----------------------|-----------|-------------|------|------|-----|-----|--------------------|------|------|------|-----|--------------------|------|------|------|-----|
|                       |           | Uninsulated |      |      |     |     | 3/8-in. Insulation |      |      |      |     | 1/2-in. Insulation |      |      |      |     |
|                       |           | 38          | 51   | 64   | 76  | 102 | 38                 | 51   | 64   | 76   | 102 | 38                 | 51   | 64   | 76   | 102 |
| -7                    | 4.6       | 12.2        | 12.2 | 10.7 | 9.1 | 4.6 | 15.2               | 27.4 | 22.9 | 19.8 | 4.6 | 15.2               | 21.3 | 21.3 | 21.3 |     |
| -18                   | 4.6       | 6.1         | 4.6  | 3.0  | 1.5 | 4.6 | 15.2               | 13.7 | 10.7 | 9.1  | 4.6 | 15.2               | 15.2 | 12.2 | 10.7 |     |
| -29                   | 4.6       | 3.0         | 1.5  |      |     | 4.6 | 10.7               | 9.1  | 6.1  | 4.6  | 4.6 | 12.2               | 9.1  | 7.6  | 4.6  |     |
| -40                   | 3.0       | 1.5         |      |      |     | 4.6 | 7.6                | 6.1  | 4.6  | 1.5  | 4.6 | 9.1                | 7.6  | 6.1  | 3.0  |     |

| Winter Design Temp °C | Unit Size | 100,000 BTUH |      |      |     |                    |      |      |     |                    |      |      |     |
|-----------------------|-----------|--------------|------|------|-----|--------------------|------|------|-----|--------------------|------|------|-----|
|                       |           | Uninsulated  |      |      |     | 3/8-in. Insulation |      |      |     | 1/2-in. Insulation |      |      |     |
|                       |           | 51           | 64   | 76   | 102 | 51                 | 64   | 76   | 102 | 51                 | 64   | 76   | 102 |
| -7                    | 6.1       | 15.2         | 12.2 | 10.7 | 6.1 | 24.4               | 28.9 | 24.4 | 6.1 | 24.4               | 32.0 | 27.4 |     |
| -18                   | 6.1       | 6.1          | 4.6  | 3.0  | 6.1 | 16.8               | 13.7 | 10.7 | 6.1 | 19.8               | 16.7 | 13.7 |     |
| -29                   | 4.6       | 3.0          | 1.5  |      | 6.1 | 10.7               | 9.1  | 6.1  | 6.1 | 13.7               | 10.7 | 7.6  |     |
| -40                   | 3.0       | 1.5          |      |      | 6.1 | 7.6                | 6.1  | 3.0  | 6.1 | 9.1                | 7.6  | 4.6  |     |

| Winter Design Temp °C | Unit Size | 120,000 BTUH |      |     |                    |      |     |                    |      |     | 140,000 BTUH |      |     |                    |      |     |                    |      |     |
|-----------------------|-----------|--------------|------|-----|--------------------|------|-----|--------------------|------|-----|--------------|------|-----|--------------------|------|-----|--------------------|------|-----|
|                       |           | Uninsulated  |      |     | 3/8-in. Insulation |      |     | 1/2-in. Insulation |      |     | Uninsulated  |      |     | 3/8-in. Insulation |      |     | 1/2-in. Insulation |      |     |
|                       |           | 64           | 76   | 102 | 64                 | 76   | 102 | 64                 | 76   | 102 | 64           | 76   | 102 | 64                 | 76   | 102 | 64                 | 76   | 102 |
| -7                    | 3.0       | 15.2         | 12.2 | 3.0 | 22.9               | 28.9 | 3.0 | 22.9               | 32.0 | 1.5 | 16.7         | 15.2 | 1.5 | 19.8               | 32.0 | 1.5 | 19.8               | 38.1 |     |
| -18                   | 3.0       | 6.1          | 4.6  | 3.0 | 16.8               | 13.7 | 3.0 | 19.8               | 15.2 | 1.5 | 7.6          | 4.6  | 1.5 | 19.8               | 15.2 | 1.5 | 19.8               | 18.3 |     |
| -29                   | 3.0       | 3.0          |      | 3.0 | 10.7               | 7.6  | 3.0 | 13.7               | 9.1  | 1.5 | 3.0          | 1.5  | 1.5 | 13.7               | 9.1  | 1.5 | 15.2               | 12.2 |     |
| -40                   | 3.0       | 1.5          |      | 3.0 | 7.6                | 4.6  | 3.0 | 9.1                | 6.1  | 1.5 | 1.5          |      | 1.5 | 9.1                | 6.1  | 1.5 | 35                 | 7.6  |     |

59SP2A

# MAXIMUM EQUIVALENT VENT LENGTHS

**Table 2 – Maximum Equivalent Vent Length - Ft.**

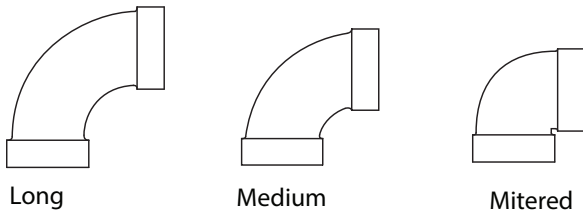
**NOTE: Maximum Equivalent Vent Length (MEVL) includes standard and concentric vent termination and does NOT include elbows. Use Table 3 - Deductions from Maximum Equivalent Vent Length to determine allowable vent length for each application.**

| Unit Size       |            | 40,000<br>Outlet choke<br>required under 10<br>ft. TEVL |     |     | 60,000 |     |     | 80,000 |     |     |     | 100,000 |     |     |    | 120,000 |     |     | 140,000 |     |     |     |     |    |     |
|-----------------|------------|---|-----|-----|--------|-----|-----|--------|-----|-----|-----|---------|-----|-----|----|---------|-----|-----|---------|-----|-----|-----|-----|----|-----|
|                 |            | Pipe Dia.<br>(in)                                       | 1 ½ | 2   | 2 ½    | 1 ½ | 2   | 2 ½    | 3   | 1 ½ | 2   | 2 ½     | 3   | 4   | 2  | 2 ½     | 3   | 4   | 2 ½     | 3   | 4   | 2 ½ | 3   | 4  |     |
| Altitude (feet) | 0-2000     | 20  | 85  | 185 | 20     | 100 | 175 | 200    | 15  | 50  | 130 | 175     | 200 | 20  | 80 | 175     | 200 | 10  | 75      | 185 | 5   | 65  | 155 |    |     |
|                 | 2001-3000  | 15  | 80  | 175 | 20     | 95  | 165 | 185    | 10  | 45  | 125 | 165     | 185 | 15  | 75 | 165     | 185 | 5   | 70      | 175 | N/A | 60  | 140 |    |     |
|                 | 3001-4000  |   | 70  | 160 |        | 90  | 155 | 175    |     |     | 155 | 175     | 175 |     |    | 165     | 170 |     | 155     | 175 |     |     | 165 |    |     |
|                 | 4001-4500  | 10  | 65  | 155 | 15     | 85  | 150 | 170    | 10  | 40  | 110 | 150     | 165 | 10  | 70 | 150     | 165 | N/A | 60      | 160 | N/A | 160 | 110 |    |     |
|                 | 4501-5000  |   | 60  | 145 |        | 80  | 165 | 145    |     |     | 160 | 150     | 165 |     |    | 140     | 155 |     |         | 165 |     |     |     |    |     |
|                 | 5001-6000  |   | 55  | 130 |        | 75  | 140 | 155    |     |     | 135 | 150     | 140 |     |    | 155     | 145 |     |         | 155 |     |     |     |    |     |
|                 | 6001-7000  | 5   | 45  | 120 | 10     | 70  | 130 | 145    | N/A | 30  | 90  | 125     | 140 | N/A | 60 | 135     | 145 | N/A | 50      | 140 | N/A | 140 | 65  |    |     |
|                 | 7001-8000  |   | 40  | 110 |        | 65  | 120 | 135    |     |     | 120 | 125     | 125 |     |    | 135     | 135 |     |         | 135 |     |     |     |    |     |
|                 | 8001-9000  | N/A   | 30  | 95  | 5      | 60  | 115 | 125    | N/A | 25  | 80  | 110     | 115 | N/A | 50 | 115     | 125 | N/A | 40      | 120 | N/A | 120 | 30  |    |     |
|                 | 9001-10000 |   | 25  | 85  | N/A    | 55  | 105 | 115    |     |     | 20  | 75      | 100 |     |    | 105     | 45  |     |         | 100 |     |     | 115 | 30 | 115 |

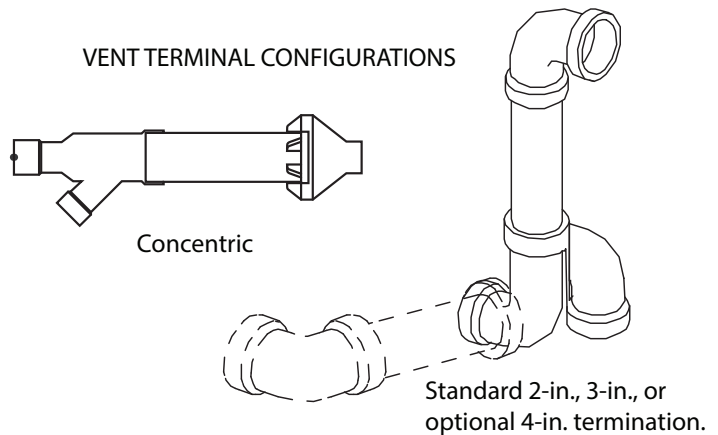
Meters

| Unit Size         |           | 40,000<br>Outlet choke<br>required under 10<br>ft. TEVL |    |    | 60,000 |    |    |    | 80,000 |    |    |    |    | 100,000 |    |    |    | 120,000 |    |     | 140,000 |     |     |     |
|-------------------|-----------|---|----|----|--------|----|----|----|--------|----|----|----|----|---------|----|----|----|---------|----|-----|---------|-----|-----|-----|
|                   |           | Pipe Dia.<br>(mm)                                       | 38 | 51 | 64     | 38 | 51 | 64 | 76     | 38 | 51 | 64 | 76 | 102     | 51 | 64 | 76 | 102     | 64 | 76  | 102     | 64  | 76  | 102 |
| Altitude (meters) | 0-610     | 6   | 26 | 57 | 6.5    | 31 | 54 | 61 | 3      | 2  | 16 | 40 | 54 | 61      | 6  | 25 | 54 | 61      | 3  | 23  | 57      | 1.5 | 21  | 48  |
|                   | 611-914   | 4.5   | 24 | 53 |        | 29 | 51 | 57 |        | 15 | 5  | 23 | 51 | 57      | 5  | 23 | 51 | 57      |    | 1.5 | 20      | 51  | N/A | 18  |
|                   | 915-1219  |   | 22 | 49 | 27     | 48 | 54 | 48 | 54     |    |    |    | 52 | 52      |    |    | 52 | 52      | 52 |     |         | 52  |     |     |
|                   | 1220-1370 | 3   | 20 | 47 | 5      | 26 | 46 | 52 | 3      | 13 | 34 | 46 | 51 | 3       | 22 | 46 | 51 | N/A     | 19 | 50  | N/A     | 50  | 33  |     |
|                   | 1371-1524 |   | 19 | 45 |        | 24 | 46 | 51 |        |    | 46 | 51 | 46 |         |    | 51 | 48 |         |    | 48  |         |     |     |     |
|                   | 1525-1829 |   | 17 | 41 |        | 82 | 43 | 47 |        |    | 31 | 42 | 46 |         |    | 21 | 43 |         |    | 48  |         |     | 48  | 48  |
|                   | 1830-2134 | 1.5   | 15 | 37 | 3      | 22 | 40 | 44 | N/A    | 10 | 27 | 39 | 42 | N/A     | 19 | 41 | 45 | N/A     | 16 | 43  | N/A     | 11  | 25  |     |
|                   | 2135-2438 |   | 12 | 34 |        | 20 | 37 | 42 |        |    | 18 | 38 | 42 |         |    | 14 | 40 |         |    | 7   |         |     | 15  |     |
|                   | 2439-2743 | N/A   | 10 | 30 | 1.5    | 19 | 35 | 38 | N/A    | 8  | 26 | 34 | 36 | N/A     | 15 | 36 | 39 | N/A     | 13 | 38  | N/A     | 5   | 10  |     |
|                   | 2744-3048 |   | 8  | 26 | N/A    | 17 | 33 | 36 |        |    | 7  | 24 | 31 |         |    | 33 | 14 |         |    | 34  |         |     | 36  | 12  |

**ELBOW CONFIGURATIONS**



**VENT TERMINAL CONFIGURATIONS**



A13110

**Table 3 – Deductions from Maximum Equivalent Vent Length - Ft. (M)**

| Pipe Diameter (in):            | 1-1/2 |       | 2   |       | 2-1/2 |       | 3   |       | 4   |       |
|--------------------------------|-------|-------|-----|-------|-------|-------|-----|-------|-----|-------|
| <b>Mitered 90° Elbow</b>       | 8     | (2.4) | 8   | (2.4) | 8     | (2.4) | 8   | (2.4) | 8   | (2.4) |
| <b>Medium Radius 90° Elbow</b> | 5     | (1.5) | 5   | (1.5) | 5     | (1.5) | 5   | (1.5) | 5   | (1.5) |
| <b>Long Radius 90° Elbow</b>   | 3     | (0.9) | 3   | (0.9) | 3     | (0.9) | 3   | (0.9) | 3   | (0.9) |
| <b>Mitered 45° Elbow</b>       | 4     | (1.2) | 4   | (1.2) | 4     | (1.2) | 4   | (1.2) | 4   | (1.2) |
| <b>Medium Radius 45° Elbow</b> | 2.5   | (0.8) | 2.5 | (0.8) | 2.5   | (0.8) | 2.5 | (0.8) | 2.5 | (0.8) |
| <b>Long Radius 45° Elbow</b>   | 1.5   | (0.5) | 1.5 | (0.5) | 1.5   | (0.5) | 1.5 | (0.5) | 1.5 | (0.5) |
| <b>Tee</b>                     | 16    | (4.9) | 16  | (4.9) | 16    | (4.9) | 16  | (4.9) | 16  | (4.9) |

59SP2A



## Venting System Length Calculations

The Total Equivalent Vent Length (TEVL) for **EACH** combustion air or vent pipe equals the length of the venting system, plus the equivalent length of elbows used in the venting system from Table 3.

Standard vent terminations or factory accessory concentric vent terminations count for zero deduction.

See vent system manufacturer's data for equivalent lengths of flexible vent pipe or other termination systems. **DO NOT ASSUME** that one foot of flexible vent pipe equals one foot of straight PVC/ABS DWV vent pipe.

Compare the Total Equivalent Vent Length to the Maximum Equivalent Vent Lengths in Tables 2.

### Example 1

A direct-vent 60,000 Btuh furnace installed at 2100 ft. (640 M). Venting system includes, **FOR EACH PIPE**, 100 feet (30 M) of vent pipe, 95 feet (28 M) of combustion air inlet pipe, (3) 90° long radius elbows, (2) 45° long radius elbows and a factory accessory concentric vent kit.

Can this application use 2-in. (50 mm ND) PVC/ABS DWV vent piping?

|   |   |   |        |   |            |   |
|---|---|---|--------|---|------------|---|
| Measure the required linear length of air inlet and vent pipe; insert the longest of the two here:                  |   |   |        |   | 100 ft     | Use length of the longer of the vent or air inlet piping system |
| Add equiv length of (3) 90° long-radius elbows (use the highest number of elbows for either the vent or inlet pipe) | 3 | x | 3 ft   | = | 9 ft.      | From Table 3  |
| Add equiv length of (2) 45° long-radius elbows (use the highest number of elbows for either the vent or inlet pipe) | 2 | x | 1.5 ft | = | 3 ft.      | From Table 3  |
| Add equiv length of vent termination  |   |   |        |   | 0 ft.      | From Table 3  |
| Add correction for flexible vent pipe, if any   |   |   |        |   | 0 ft.      | From Vent Manufacturer's instructions; zero for PVC/ABS DWV     |
| Total Equivalent Vent Length (TEVL)   |   |   |        |   | 112 ft.    | Add all of the above lines                                      |
| Maximum Equivalent Vent Length (MEVL)   |   |   |        |   | 127 ft.    | For 2" pipe from Table 2  |
| <b>Is TEVL less than MEVL?</b>  |   |   |        |   | <b>YES</b> | <b>Therefore, 2" pipe may be used</b>                           |

### Example 2

A direct-vent 60,000 Btuh furnace installed at 2100 ft. (640 M) Venting system includes, **FOR EACH PIPE**, 100 feet (30 M) of vent pipe, 95 feet (28 M) of combustion air inlet pipe, (3) 90° long radius elbows, and a polypropylene concentric vent kit. Also includes 20 feet (6.1 M) of flexible polypropylene vent pipe, included within the 100 feet (30 M) of vent pipe.

Assume that one meter of flexible 60 mm or 80 mm polypropylene pipe equals 1.8 meters of PVC/ABS pipe. **VERIFY FROM VENT MANUFACTURER'S INSTRUCTIONS.**

Can this application use 60 mm (O.D.) polypropylene vent piping? If not what size piping can be used?

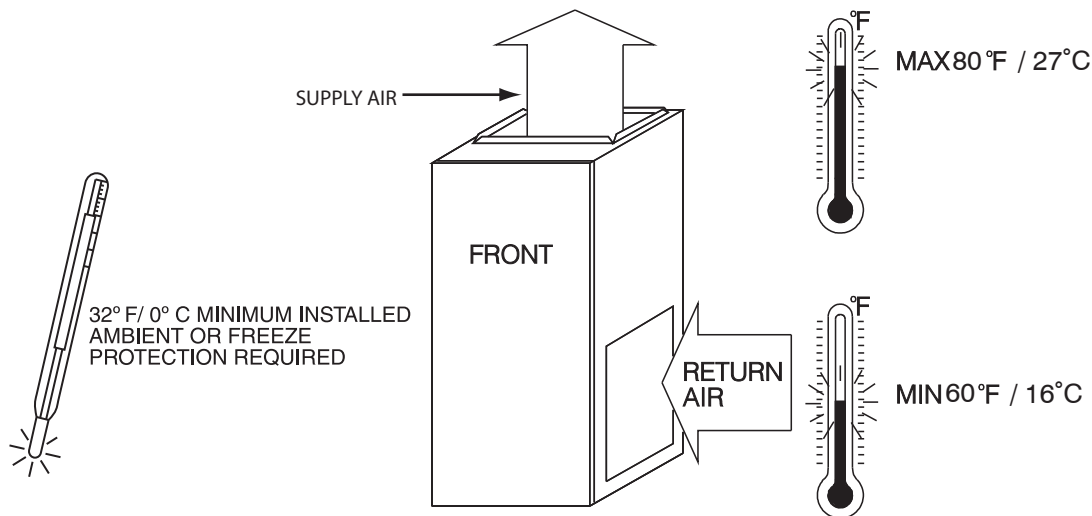
|   |     |   |        |   |            |   |
|---|-----|---|--------|---|------------|---|
| Measure the required linear length of air inlet and vent pipe; insert the longest of the two here:                  |     |   |        |   | 100 ft     | Use length of the longer of the vent or air inlet piping system |
| Add equiv length of (3) 90° long-radius elbows (use the highest number of elbows for either the vent or inlet pipe) | 3   | x | 3 ft   | = | 9 ft.      | From Vent Manufacturer's instructions                           |
| Add equiv length of (2) 45° long-radius elbows (use the highest number of elbows for either the vent or inlet pipe) | 0   | x |        | = | 0 ft.      | From Vent Manufacturer's instructions                           |
| Add equiv length of vent termination  | 9 M | x | 3 ft/M | = | 18 ft.     | From Vent Manufacturer's instructions                           |
| Add correction for flexible vent pipe, if any   | 1.8 | x | 20 ft  | = | 36 ft.     | From Vent Manufacturer's instructions                           |
| Total Equivalent Vent Length (TEVL)   |     |   |        |   | 163 ft.    | Add all of the above lines                                      |
| Maximum Equivalent Vent Length (MEVL)   |     |   |        |   | 127 ft.    | For 2" pipe from Table 2  |
| <b>Is TEVL less than MEVL?</b>  |     |   |        |   | <b>NO</b>  | <b>Therefore, 60mm pipe may NOT be used; try 80 mm</b>          |
| Maximum Equivalent Vent Length (MEVL)   |     |   |        |   | 250 ft.    | For 3" pipe from Table 2  |
| <b>Is TEVL less than MEVL?</b>  |     |   |        |   | <b>YES</b> | <b>Therefore, 80 mm pipe may be used</b>                        |

#### NOTES:

- Use only the smallest diameter pipe possible for venting. Over-sizing may cause flame disturbance or excessive vent terminal icing or freeze-up.
- NA – Not allowed. Pressure switch will not close, or flame disturbance may result.
- Total equivalent vent lengths under 10' for 40,000 BTUH furnaces from 0 to 2000 ft. (0 to 610 M) above sea level require use of an outlet choke plate. **Failure to use an outlet choke when required may result in flame disturbance or flame sense lockout.**
- Not all furnace families include 140,000 BTUH input models.
- Vent sizing for Canadian installations over 4500 ft (1370 M) above sea level are subject to acceptance by local authorities having jurisdiction.
- Size both the combustion air and vent pipe independently, then use the larger size for both pipes.
- Assume the two 45° elbows equal one 90° elbow. Wide radius elbows are desirable and may be required in some cases.
- Elbow and pipe sections within the furnace casing and at the vent termination should not be included in vent length or elbow count.
- The minimum pipe length is 5 ft. (2 M) linear feet (meters) for all applications.
- Use 3-in. (76 mm) diameter vent termination kit for installations requiring 4-in. (102 mm) diameter pipe.

## RETURN AIR TEMPERATURE

This furnace is designed for continuous return-air minimum temperature of 60°F (15°C) db or intermittent operation down to 55°F (13°C) db such as when used with a night setback thermometer. Return-air temperature must not exceed 80°F (27°C) db. Failure to follow these return air limits may affect reliability of heat exchangers, motors and controls.



59SP2A

A10490

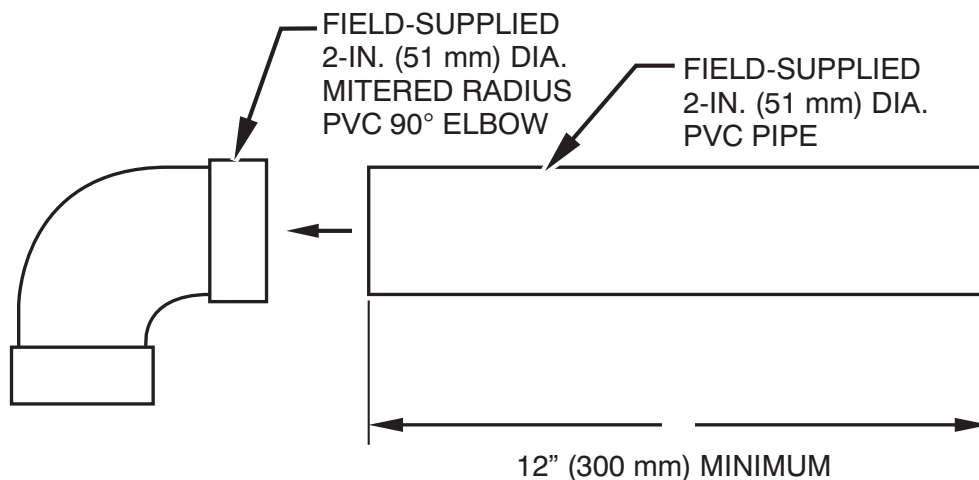
## MINIMUM CLEARANCES TO COMBUSTIBLE MATERIALS

| POSITION  | CLEARANCE        |
|---|------------------|
| Rear  | 0 (0 mm)         |
| Front (Combustion air openings in furnace and in structure) | 1 in. (25 mm)    |
| Required for service**                                      | 24 in. (610 mm)* |
| All Sides of Supply Plenum**                                | 1 in. (25 mm)    |
| Sides   | 0 (0 mm)         |
| Vent  | 0 (0 mm)         |
| Top of Furnace  | 1 in. (25 mm)    |

\* Recommended

\*\*Consult your local building codes

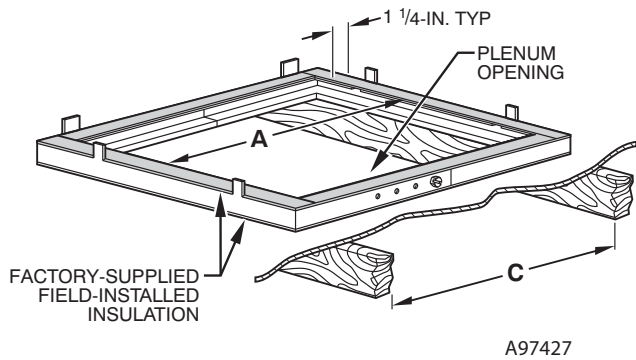
## COMBUSTION-AIR PIPE FOR NON-DIRECT (1-PIPE) VENT APPLICATION



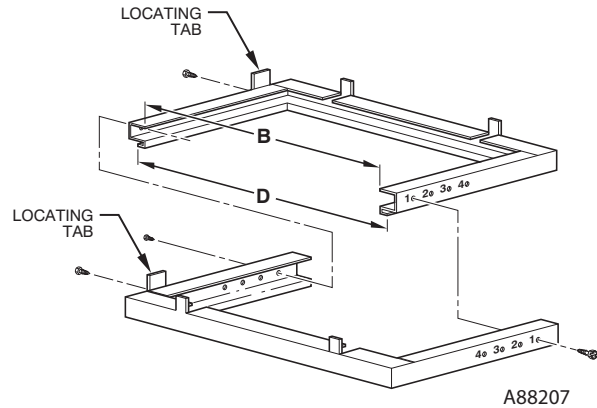
**NOTE:** See Installation Instructions for specific venting configurations.

A12376

## DOWNFLOW SUBBASE



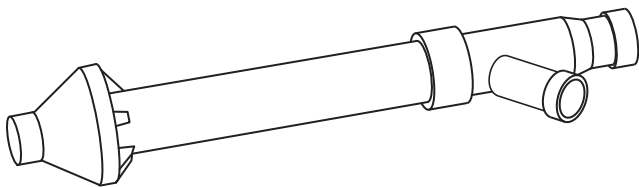
Assembled



Disassembled

| DIMENSIONS (IN. / MM) |   |                 |          |               |              |                               |
|-----------------------|---|-----------------|----------|---------------|--------------|-------------------------------|
| FURNACE CASING WIDTH  | FURNACE IN DOWNFLOW APPLICATION                         | PLENUM OPENING* |          | FLOOR OPENING |              | HOLE NO. FOR WIDTH ADJUSTMENT |
|                       |   | A               | B        | C             | D            |                               |
| 14-3/16 (360)         | Furnace with or without Cased Coil Assembly or Coil Box | 11-3/16 (322)   | 19 (483) | 13-7/16 (341) | 20-5/8 (600) | 4                             |
| 17-1/2 (445)          | Furnace with or without Cased Coil Assembly or Coil Box | 15-1/8 (384)    | 19 (483) | 16-3/4 (426)  | 20-5/8 (600) | 3                             |
| 21 (533)              | Furnace with or without Cased Coil Assembly or Coil Box | 18-5/8 (396)    | 19 (483) | 20-1/4 (514)  | 20-5/8 (600) | 2                             |
| 24-1/2 (622)          | Furnace with or without Cased Coil Assembly or Coil Box | 22-1/8 (562)    | 19 (483) | 23-3/4 (603)  | 20-5/8 (600) | 1                             |

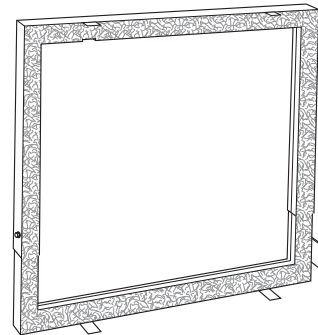
\*The plenum should be constructed 1/4-in. (6 mm) smaller in width and depth than the plenum dimensions shown above.



**Concentric Vent Kit**

A93086

A concentric vent kit allows vent and combustion-air pipes to terminate through a single exit in a roof or side wall. One pipe runs inside the other allowing venting through the inner pipe and combustion air to be drawn in through the outer pipe.



**Downflow Subbase**

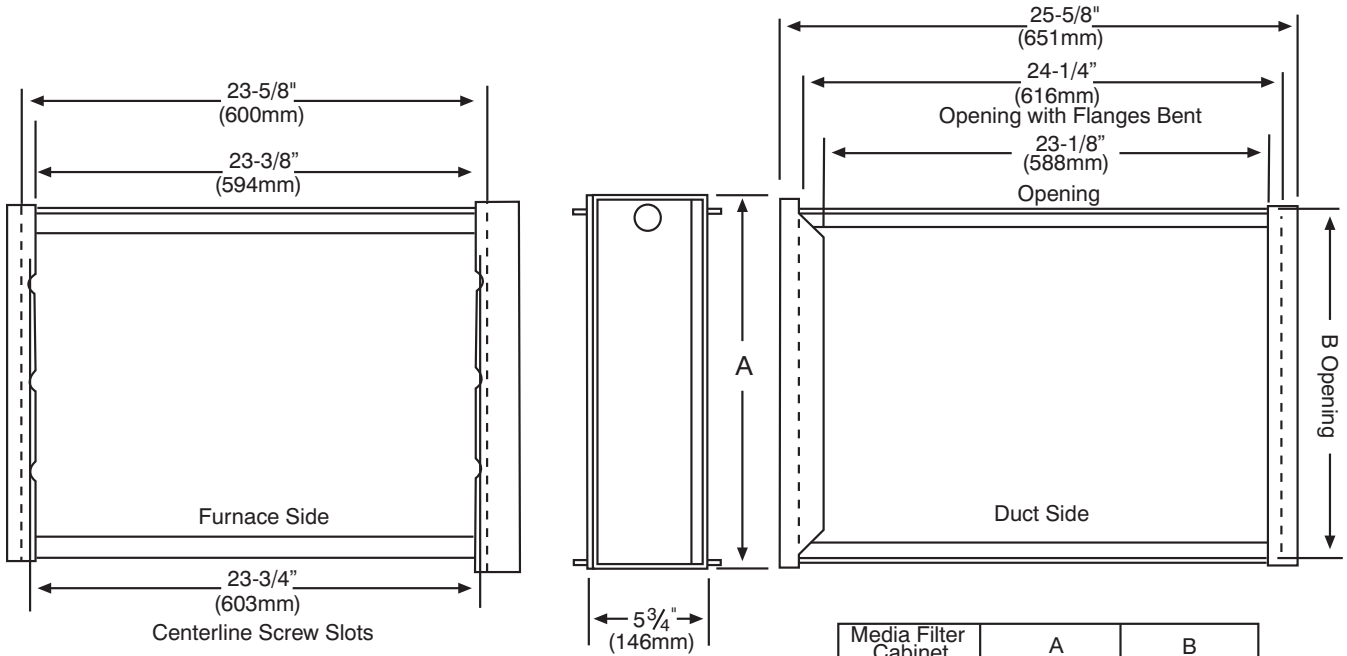
A88202

One base fits all furnace sizes. The base is designed to be installed between the furnace and a combustible floor when no coil box is used or when a coil box other than a Carrier cased coil is used. It is CSA design certified for use with Carrier branded furnaces when installed in downflow applications.

59SP2A

## ACCESSORY MEDIA FILTER CABINET

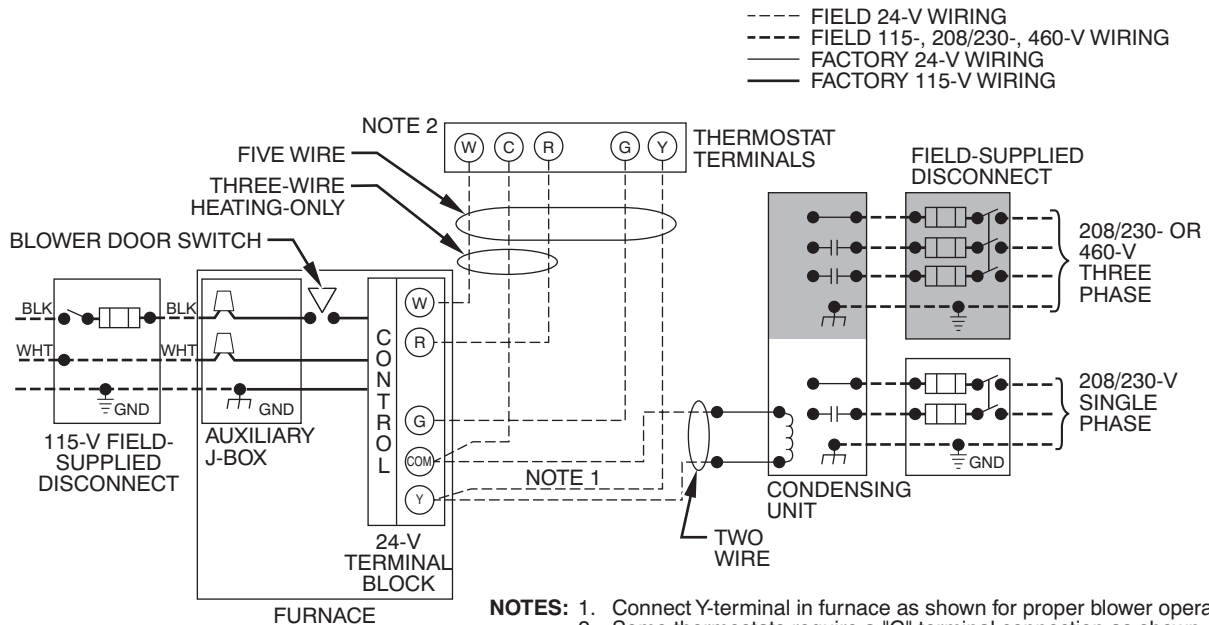
59SP2A



NOTE: Media cabinet is matched to the bottom opening on furnace. May also be used for side return.

A12428

## TYPICAL WIRING SCHEMATIC

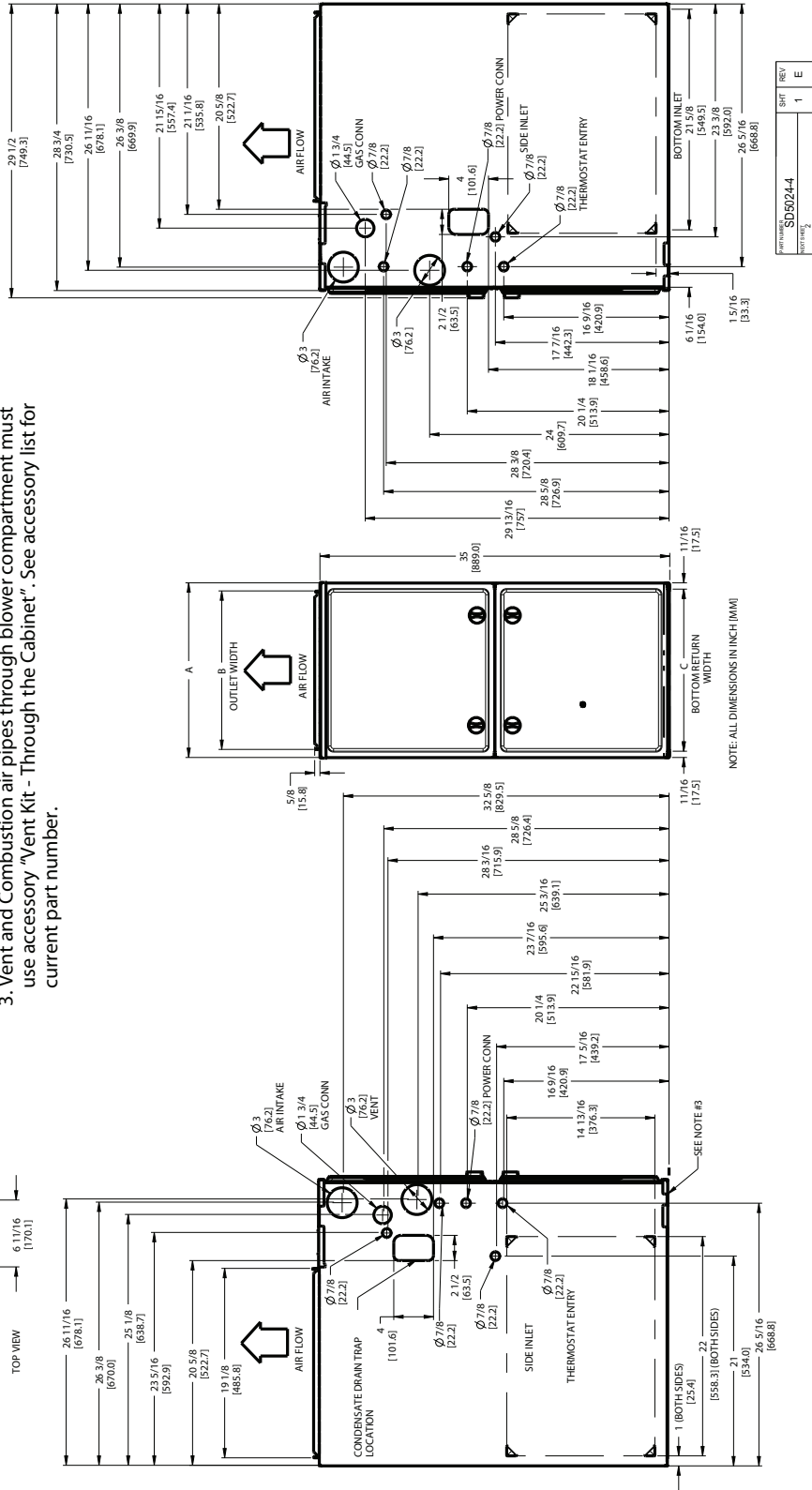
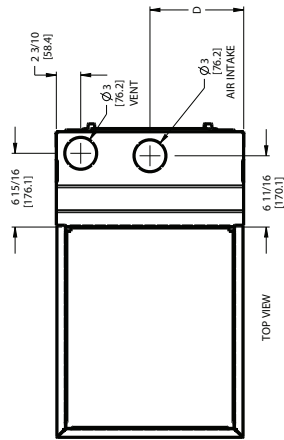


A11387

# DIMENSIONAL DRAWING

**NOTES:**

1. Doors may vary by model.
2. Minimum return-air openings at furnace, based on metal duct. If flex duct is used, see flex duct manufacturer's recommendations for equivalent diameters.
  - a. For 800 CFM-16-in. (406 mm) round or 14 1/2 x 12-in. (368 x 305 mm) rectangle.
  - b. For 1200 CFM-20-in. (508 mm) round or 14 1/2 x 19 1/2-in. (368 x 495 mm) rectangle.
  - c. For 1600 CFM-22-in. (559 mm) round or 14 1/2 x 22 1/16-in. (368 x 560mm) rectangle.
- d. Return air above 1800 CFM at 0.5 in. w.c. ESP on 24.5" casing, requires one of the following configurations: 2 sides, 1 side and a bottom or bottom only. See Air Delivery table in this document for specific use to allow for sufficient airflow to the furnace.
3. Vent and Combustion air pipes through blower compartment must use accessory "Vent Kit - Through the Cabinet". See accessory list for current part number.



|             |       |      |
|-------------|-------|------|
| PART NUMBER | SHEET | REV. |
| SD5024-4    | 1     | E    |

A12267

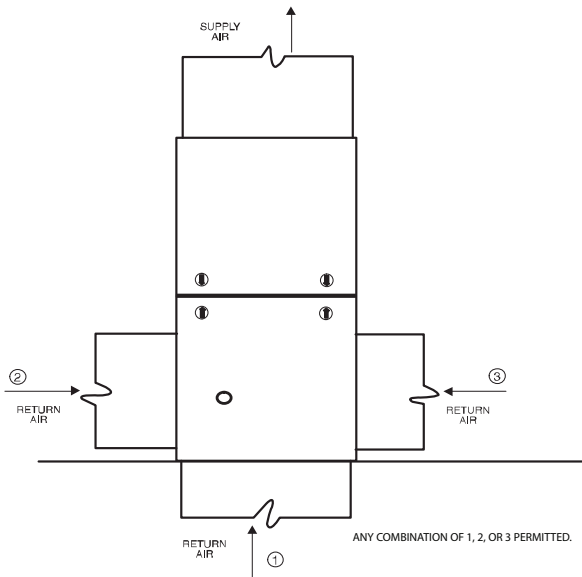
| 59SP2<br>FURNACE SIZE | A             | B              | C                  | D            | SHIP WT.<br>LB (KG) |
|-----------------------|---------------|----------------|--------------------|--------------|---------------------|
|                       | CABINET WIDTH | OUTLET WIDTH   | BOTTOM INLET WIDTH | AIR INTAKE   |                     |
| 040-10                | 14-3/16 (361) | 12-1/2 (319)   | 12-9/16 (322)      | 7-1/8 (181)  | 112.0 (50.8)        |
| 060-12                | 17-1/2 (445)  | 15-7/8 (403)   | 16 (406)           | 8-3/4 (222)  | 122.5 (55.6)        |
| 040-12                |               | 19-1/8 (485.8) | 19-1/2 (495)       | 10-1/2 (267) | 122.0 (55.3)        |
| 060-14                |               | 21 (533)       | 19-3/8 (492)       | 10-1/4 (261) | 132.0 (59.9)        |
| 080-16                | 21 (533)      | 21 (533)       | 21 (533)           | 11-1/2 (292) | 142.0 (64.4)        |
| 080-20                |               | 23 (584)       | 23 (584)           | 12-1/4 (311) | 150.0 (68.0)        |
| 100-20                |               | 24-1/2 (622)   | 22-7/8 (581)       | 23 (584)     | 12-1/4 (311)        |
| 120-20                |               |                |                    |              | 183.0 (83.0)        |

59SP2A

# RETURN AIR CONNECTIONS

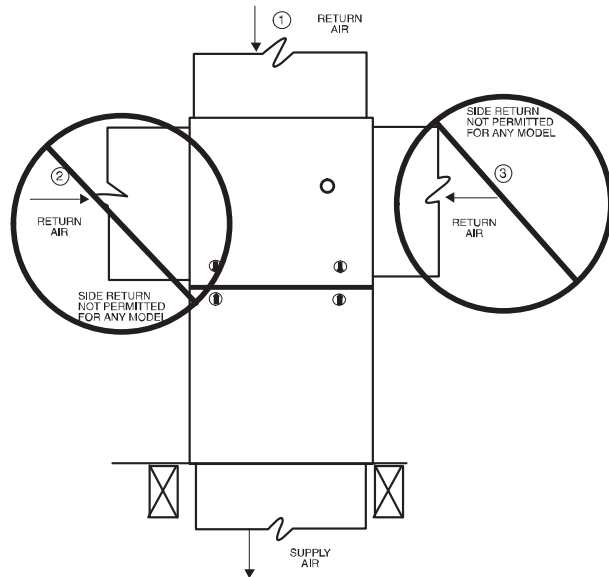
NOTE: Refer to installation instructions for further details.

59SP2A



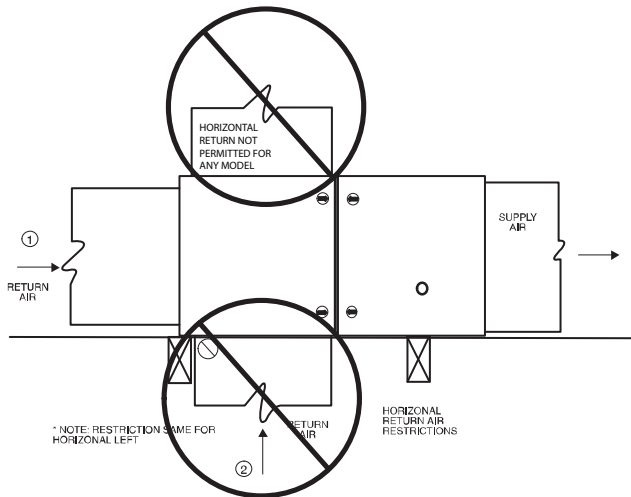
A11036

Fig. 1 - Upflow Return Air Configurations and Restrictions



A11037

Fig. 2 - Downflow Return Air Configurations and Restrictions



A13109

Fig. 3 - Horizontal Return Air Configurations and Restrictions

# GUIDE SPECIFICATIONS

## General

### System Description

Furnish a \_\_\_\_\_ 4-way multipoise gas-fired condensing furnace for use with natural gas or propane (factory-authorized conversion kit required for propane); furnish external media cabinet for use with accessory media filter or standard filter.

### Quality Assurance

Unit will be designed, tested and constructed to the current ANSI Z 21.47/CSA 2.3 design standard for gas-fired central furnaces.

Unit will be third party certified by CSA to the current ANSI Z 21.47/CSA 2.3 design standard for gas-fired central furnaces. Unit will carry the CSA Blue Star® and Blue Flame® labels. Unit efficiency testing will be performed per the current DOE test procedure as listed in the Federal Register.

Unit will be certified for capacity and efficiency and listed in the latest AHRI Consumer's Directory of Certified Efficiency Ratings.

Unit will carry the current Federal Trade Commission Energy Guide efficiency label.

### Delivery, Storage, and Handling

Unit will be shipped as single package only and is stored and handled per unit manufacturer's recommendations.

### Warranty (for inclusion by specifying engineer)

U.S. and Canada only. Warranty certificate available upon request.

### Equipment

#### Blower Wheel and ECM Blower Motor

Galvanized blower wheel shall be centrifugal type, statically and dynamically balanced. Blower motor of ECM type shall be permanently lubricated with sealed ball bearings, of \_\_\_\_\_ hp, and have multiple speeds from 600-1200 RPM operating only when 24-VAC motor inputs are provided. Blower motor shall be direct drive and soft mounted to the blower housing to reduce vibration transmission.

#### Filters

Furnace shall have reusable-type filters. Filter shall be \_\_\_\_\_ in. (mm) X \_\_\_\_\_ in. (mm). An accessory highly efficient Media Filter is available as an option. \_\_\_\_\_ Media Filter.

#### Casing

Casing shall be of .030 in. thickness minimum, pre-painted steel.

#### Draft Inducer Motor

Draft inducer motor shall be single-speed PSC design.

### Primary Heat Exchangers

Primary heat exchangers shall be 3-Pass corrosion-resistant aluminized steel of fold-and-crimp sectional design and applied operating under negative pressure.

### Secondary Heat Exchangers

Secondary heat exchangers shall be of a stainless steel flow-through of fin-and-tube design and applied operating under negative pressure.

### Controls

Controls shall include a micro-processor-based integrated electronic control board with at least 16 service troubleshooting codes displayed via diagnostic flashing LED light on the control, a self-test feature that checks all major functions of the furnace, and a replaceable automotive-type circuit protection fuse. Multiple operational settings available, including blower speeds for high heat, low cooling, high cooling and continuous fan. Continuous fan speed may be adjusted from the thermostat. Features will also include temporary reduced airflow in the cooling mode for improved dehumidification when a TP-PRH edge® is selected as the thermostat.

### Operating Characteristics

Heating capacity shall be \_\_\_\_\_ Btuh input; \_\_\_\_\_ Btuh output capacity.

Fuel Gas Efficiency shall be \_\_\_\_\_ AFUE.

Air delivery shall be \_\_\_\_\_ cfm minimum at 0.50 in. W.C. external static pressure.

Dimensions shall be: depth \_\_\_\_\_ in. (mm); width \_\_\_\_\_ in. (mm); height \_\_\_\_\_ in. (mm) (casing only). Height shall be \_\_\_\_\_ in. (mm) with A/C coil and \_\_\_\_\_ in. (mm) overall with plenum.

### Electrical Requirements

Electrical supply shall be 115 volts, 60 Hz, single-phase (nominal). Minimum wire size shall be \_\_\_\_\_ AWG; maximum fuse size of HACR-type designated circuit breaker shall be \_\_\_\_\_ amps.

### Special Features

Refer to section of the product data identifying accessories and descriptions for specific features and available enhancements.

